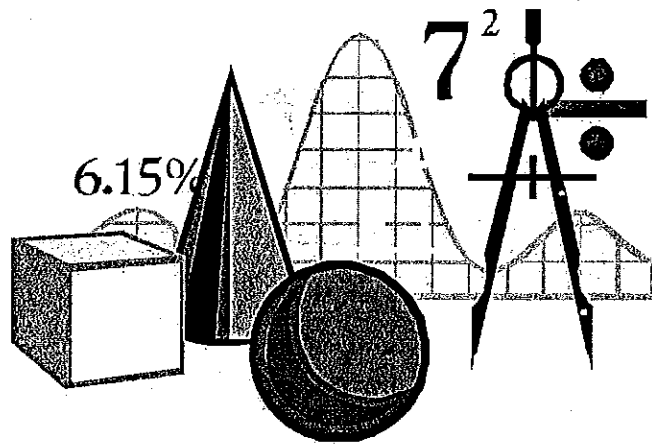


1999 STATISTICAL REPORT for Parishes and Dioceses of The Anglican Church of Canada

A compilation of Parish and
Diocesan Statistics for 1999



With comparative figures for 1998 and 1997

Financial Management Department
600 Jarvis Street
Toronto, ON M4Y 2J6
e-mail: fmd@national.anglican.ca

**Anglican Church of Canada
1999 Statistics
Compared with 1998 and 1997 Statistics**

	<u>1999</u>	<u>1998</u>	<u>1997</u>
BISHOPS			
Diocesan	29	30	30
Coadjutors, Suffragans, Assistants	13	11	10
Retired	41	36	34
On Leave or Other	1	2	1
Primate	1	1	1
	85	80	76
CLERGY			
Parish-stipendiary	1622	1616.5	1546
-non-stipendiary	273	251	240
Diocesan staff	39	35.5	86
Chaplains & Special Ministries	105	101	102
Other active	58	49	71
Retired	1125	1026	988
On Leave	296	281	287
	3517	3360	3320
OTHER MINISTRIES			
Deaconesses-full time	15	12	9
Catechists- full time	18	134	134
Church Army-full time	47	26	21
Lay readers-stipendiary full time	207	60	3
Lay readers-non-stipendiary full time	3008	2883	2812
	3295	3115	2979
Diocesan Staff	192	274	173
Parish (other than Lay readers)	317	207	212
	509	481	385
CONSECRATIONS, ORDINATIONS, ETC.			
Bishops	3	3	3
Priests	76	84	83
Deacons	70	59	80
	149	146	166

**Anglican Church of Canada
1999 Statistics
Compared with 1998 and 1997 Statistics**

	<u>1999</u>	<u>1998</u>	<u>1997</u>
PARISHES, MISSIONS, ETC.			
Self-supporting	1,474	1,450	1144
Aided	319	331	419
	<u>1,793</u>	<u>1,781</u>	<u>1,563</u>

Congregations which make up Total Parish	2,836	2,833	2,346
Join with other churches (not Incl above)	60	57	120

CHURCH MEMBERSHIP

Total members on Parish Rolls	686,362	705,726	717,708
Confirmed persons on Parish Rolls	379,759	382,765	384,204
Identifiable regular givers	<u>227,292</u>	<u>225,044</u>	<u>228,413</u>

ORGANIZATIONS-MEMBERS

Anglican Church Women	23,410	30,564	24,932
Other Women's Groups	18,801	15,842	16,440
Men's Group	8,520	8,660	7,820
Other Adult Groups	29,534	29,743	28,177
Youth Groups	15,053	15,861	15,470
Church-sponsored youth	6,564	7,316	7,439
Church-sponsored adult	<u>6,572</u>	<u>7,713</u>	<u>9,050</u>

SUNDAY SCHOOLS

Schools	1,794	1,600	1,698
Number of teachers	10,944	10,942	11,679
Number of pupils	<u>45,841</u>	<u>48,623</u>	<u>52,638</u>

PARISH RECORDS

Baptisms	15,574	15,347	16,080
Confirmations	6,092	6,187	6,478
Received from other Communions	616	736	749
Marriages	6,648	6,818	7,061
Funerals	<u>15,849</u>	<u>16,254</u>	<u>16,756</u>

INCOME & EXPENDITURE

Total Parish Income	221,787,073	216,189,510	214,602,196
Total Parish Expenditure	221,649,548	212,899,328	206,672,869
Parish Surplus(Deficit) for the year	137,525	3,290,182	7,929,327
Total Diocesan Income	46,563,941	47,032,489	55,884,200
Total Diocesan Expenditure	47,488,358	45,220,865	52,838,709
Diocesan Surplus(Deficit) for the year	<u>(924,417)</u>	<u>1,811,624</u>	<u>3,045,491</u>

**Anglican Church of Canada
1999 Statistics**

<u>Diocese by Province</u>	<u>Diocesan Bishops</u>	<u>Other Active Bishops</u>	<u>Retired Bishops</u>	<u>Bishops on Leave</u>	<u>Total Bishops</u>
CANADA					
Fredericton	1	1	1	0	3
Montreal	1	0	1	0	2
Eastern Nfld & Lab	1	0	2	0	3
Central Nfld	1	0	1	0	2
Western Nfld	1	0	1	0	2
Nova Scotia	1	1	2	1	5
Quebec	1	0	0	0	1
Total	7	2	8	1	18
ONTARIO					
Algoma	1	0	1	0	2
Huron	1	1	4	0	6
Moosonee	1	0	0	0	1
Niagara	1	1	2	0	4
Ontario	1	0	2	0	3
Ottawa	1	0	2	0	3
Toronto	1	4	4	0	9
Total	7	6	15	0	28
RUPERT'S LAND					
The Arctic	1	3	2	0	6
Athabasca	1	0	0	0	1
Brandon	1	0	0	0	1
Calgary	0	1	3	0	4
Edmonton	1	0	2	0	3
Keewatin	1	0	0	0	1
Qu'Appelle	1	0	2	0	3
Rupert's Land	1	0	2	0	3
Saskatchewan	1	1	0	0	2
Saskatoon	1	0	2	0	3
Total	9	5	13	0	27
BRITISH COLUMBIA					
British Columbia	1	0	2	0	3
Caledonia	1	0	0	0	1
Cariboo	1	0	0	0	1
Kootenay	1	0	1	0	2
New Westminster	1	0	2	0	3
Yukon	1	0	0	0	1
Total	6	0	5	0	11
	29	13	41	1	84

**Anglican Church of Canada
1999 Statistics**

<u>Diocese by Province</u>	<u>Paid Parish Clergy</u>	<u>Unpaid Parish Clergy</u>	<u>Diocesan Staff Clergy</u>	<u>Special Ministry Clergy</u>	<u>Other Active Clergy</u>	<u>Sub-Total</u>	<u>Clergy on Pension</u>	<u>Clergy on Leave</u>	<u>Total Clergy</u>
CANADA									
Fredericton	76	3	0.0	2	0	81	45	6	132.0
Montreal	65	2	3.0	18	3	91	41	7	139.0
Eastern Nfld & Lab	48	2	2.0	7	5	64	23	7	94.0
Central Nfld	31	1	1.0	3	0	36	12	3	51.0
Western Nfld	32	3	1.0	0	0	36	10	6	52.0
Nova Scotia	98	8	1.0	4	1	112	73	13	198.0
Quebec	18	12	0.5	2.0	0.0	32.5	9.0	3.0	44.5
Total	368	31	8.5	36	9	453	213	45	710.5
ONTARIO									
Algoma	43	2	1	0	13	59	43	6	108.0
Huron	152	0	1	4	0	157	134	33	324.0
Moosonee	16	3	1	1	0	21	11	9	41.0
Niagara	111	0	1	10	3	125	70	17	212.0
Ontario	49	1	1	1	0	52.0	33	19	104.0
Ottawa	83	2	2	2	1	90.0	57	21	168.0
Toronto	309.0	4	3	5	0	321.0	200	42	563.0
Total	763.0	12	10	23	17	825.0	548	147	1520.0
RUPERT'S LAND									
The Arctic	18.0	6	4	0	0	28.0	6	8	42.0
Athabasca	16.0	1	1	0	0	18.0	0	0	18.0
Brandon	22.0	6	0	2	2	32.0	15	5	52.0
Calgary	54.0	11	1	4	14	84.0	35	10	129.0
Edmonton	39.0	12	1	4	6	62.0	25	7	94.0
Keewatin	5.5	78	1	0	0	84.5	4	0	88.5
Qu'Appelle	36.0	2	4	2	0	44.0	23	8	75.0
Rupert's Land	44.0	34	0	6	2	86.0	23	3	112.0
Saskatchewan	18.0	18	1	1	0	38.0	23	3	64.0
Saskatoon	22.0	1	0	2	3	28.0	19	4	51.0
Total	274.5	169	13	21	27	504.5	173	48	725.5
BRITISH COLUMBIA									
British Columbia	61.0	1	1	12	1	76.0	53	8	137.0
Caledonia	9.0	18	0	4	0	31.0	11	8	50.0
Cariboo	17.0	9	0	2	0	28.0	7	3	38.0
Kootenay	27.0	12	1	2	0	42.0	27	12	81.0
New Westminster	96.0	16	5	5	4	126.0	84	25	235.0
Yukon	6.0	5	0	0	0	11.0	9	0	20.0
Total	216.0	61	7	25	5	314.0	191	56	561.0
	1621.5	273	39	105	58	2096.0	1125	296	3517.0

**Anglican Church of Canada
1999 Statistics**

<u>Diocese by Province</u>	<u>Catechists</u>	<u>Church Army Captains</u>	<u>Deacon/Deaconesses</u>	<u>Lay Readers</u>	<u>Unpaid Lay Readers</u>	<u>Total Other Ministries</u>
CANADA						
Fredericton	0	3	0	0	351	354
Montreal	0	0	1	2	74	77
Eastern Nfld & Lab	0	0	0	0	62	62
Central Nfld	0	0	0	0	249	249
Western Nfld	0	0	0	0	214	214
Nova Scotia	0	6	4	0	301	311
Quebec	0	0	0	57	3	60
Total	0	9	5	59	1254	1327
ONTARIO						
Algoma	0	1	5	3	220	229
Huron	0	0	0	0	148	148
Moosonee	0	0	0	13	69	82
Niagara	7	0	2	0	200	209
Ontario	0	0	0	0	0	0
Ottawa	0	0	0	50	0	50
Toronto	0	0	0	0	0	0
Total	7	1	7	66	637	718
RUPERT'S LAND						
The Arctic	0	3	0	0	127	130
Athabasca	0	0	0	0	50	50
Brandon	0	3	0	0	116	119
Calgary	0	0	0	0	85	85
Edmonton	0	3	3	80	0	86
Keewatin	0	0	0	0	177	177
Qu'Appelle	0	0	0	0	5	5
Rupert's Land	0	1	0	0	196	196
Saskatchewan	0	0	0	0	87	87
Saskatoon	0	0	0	0	0	0
Total	0	10	3	80	843	935
BRITISH COLUMBIA						
British Columbia	0	0	0	0	0	0
Caledonia	11	27	0	0	40	78
Cariboo	0	0	0	0	40	40
Kootenay	0	0	0	1	185	186
New Westminster	0	0	0	0	0	0
Yukon	0	0	0	1	9	10
Total	11	27	0	2	274	314
	18	47	15	207	3008	3294

**Anglican Church of Canada
1999 Statistics**

<u>Diocese by Province</u>	<u>Bishops Consecrated</u>	<u>Priests Ordained</u>	<u>Deacons Ordained</u>	<u>Self Supporting Parishes</u>	<u>Aided Parishes</u>	<u>Total Parishes</u>	<u>Diocesan Staff Lay</u>	<u>Parish Staff Lay</u>	<u>Total Paid Lay Staff</u>
CANADA									
Fredericton	0	4	2	79	12	91	4.0	27.0	31.0
Montreal	0	3	1	62	11	73	9.0	46.0	55.0
Eastern Nfld & Lab	0	3	3	35	7	42	6.0	1.0	7.0
Central Nfld	0	2	2	29	2	31	3.0	0.0	3.0
Western Nfld	0	2	1	29	3	32	2.0	4.0	6.0
Nova Scotia	0	9	4	97	35	132	8.0	0.0	8.0
Quebec	0	0	0	31	4	35	1.3	0.0	1.3
Total	0	23	13	362	74	436	33.3	78.0	111.3
ONTARIO									
Algoma	0	0	0	59	10	69	7.0	0.0	7.0
Huron	0	6	9	119	40	159	9.0	0.0	9.0
Moosonee	0	3	2	10	11	21	1.0	0.0	1.0
Niagara	1	9	7	71	29	100	4.0	4.0	8.0
Ontario	0	3	4	47	3	50	11.5	0.0	11.5
Ottawa	0	0	0	71	10	81	26.0	152.0	178.0
Toronto	0	13	4	194	24	218	47.0	0.0	47.0
Total	1	34	26	571	127	698	105.5	156.0	261.5
RUPERT'S LAND									
The Arctic	2	1	4	9	22	31	4.0	3.0	7.0
Athabasca	0	0	0	8	10	18	1.0	0.0	1.0
Brandon	0	1	4	18	10	28	3.5	3.0	6.5
Calgary	0	3	1	58	14	72	4.0	0.0	4.0
Edmonton	0	2	2	47	6	53	3.0	18.0	21.0
Keewatin	0	3	0	47	1	48	2.0	4.0	6.0
Qu'Appelle	0	0	1	42	0	42	0.0	0.0	0.0
Rupert's Land	0	3	4	66	3	69	6.0	0.0	6.0
Saskatchewan	0	2	2	23	8	31	4.0	0.0	4.0
Saskatoon	0	0	0	26	0	26	2.0	7.0	9.0
Total	2	15	18	344	74	418	29.5	35.0	64.5
BRITISH COLUMBIA									
British Columbia	0	0	0	48	2	50	6.0	35.0	41.0
Caledonia	0	0	2	14	7	21	1.0	0.0	1.0
Cariboo	0	1	3	7	10	17	1.5	2.0	3.5
Kootenay	0	0	2	46	13	59	2.0	11.0	13.0
New Westminster	0	3	4	80	0	80	12.0	0.0	12.0
Yukon	0	0	2	2	12	14	1.0	0.0	1.0
Total	0	4	13	197	44	241	23.5	48.0	71.5
	3	76	70	1474	319	1793	191.8	317.0	508.8

**Anglican Church of Canada
1999 Statistics**

<u>Diocese by Province</u>	<u>No of Congregations</u>	<u>Joint with Other Churches</u>	<u>Members on Parish Rolls</u>	<u>Confirmed on Parish Rolls</u>	<u>Regular Givers</u>	<u>Average Sunday Attendance</u>
CANADA						
Fredericton	177	0	31634	29286	8957	8443
Montreal	116	0	21540	14683	9396	6258
Eastern Nfld & Lab	0	0	57312	40017	14676	8034
Central Nfld	121	0	30754	22402	9992	5025
Western Nfld	96	0	35637	26715	10453	4276
Nova Scotia	302	0	53946	33811	18902	11780
Quebec	102	2	8618	6569	2541	1821
Total	914	2	239441	173483	74917	45637
ONTARIO						
Algoma	110	0	18357	8787	7318	5076
Huron	237	15	60855	44164	24767	17278
Moosonee	30	3	12297	7284	980	1225
Niagara	115	0	47195	17703	16537	12140
Ontario	98	3	10190	14862	6410	4935
Ottawa	139	1	33561	19777	11490	9301
Toronto	281	4	86420	0	33289	27298
Total	1010	26	268875	112577	100791	77253
RUPERT'S LAND						
The Arctic	52	1	8963	4770	1300	2178
Athabasca	33	2	4084	0	847	905
Brandon	65	2	10764	6406	2232	1893
Calgary	88	0	19193	12311	6305	5765
Edmonton	57	0	12965	8699	4835	3988
Keewatin	52	1	11761	7678	1757	2082
Qu'Appelle	97	0	9368	6582	3055	2584
Rupert's Land	73	3	16715	8421	4949	4756
Saskatchewan	60	1	14501	6629	1496	1598
Saskatoon	47	0	5498	3949	1979	1813
Total	624	10	113812	65445	28755	27562
BRITISH COLUMBIA						
British Columbia	58	6	11773	8075	7399	6373
Caledonia	29	4	10282	3276	581	778
Cariboo	45	2	4711	2350	962	948
Kootenay	59	10	8154	3114	3123	2686
New Westminster	80	0	27969	10595	10497	10693
Yukon	17	0	1345	844	267	325
Total	288	22	64234	28254	22829	21803
	2836	60	686362	379759	227292	172255

**Anglican Church of Canada
1999 Statistics**

<u>Diocese by Province</u>	<u>Church Schools</u>	<u>Teachers</u>	<u>Pupils</u>	<u>Baptisms</u>	<u>Confir- mations</u>	<u>Receptions</u>	<u>Marriages</u>	<u>Funerals</u>
CANADA								
Fredericton	117	621	2552	435	324	11	191	509
Montreal	64	367	1471	577	196	32	238	619
Eastern Nfld & Lab	50	395	2203	811	621	12	334	493
Central Nfld	49	276	1277	349	274	6	204	333
Western Nfld	49	263	1281	384	389	7	241	338
Nova Scotia	183	659	3283	939	252	21	391	1102
Quebec	18	55	259	94	83	3	47	119
Total	530	2636	12326	3589	2139	92	1646	3513
ONTARIO								
Algoma	72	302	1262	410	174	0	238	539
Huron	185	1209	5547	1360	467	207	728	2000
Moosonee	14	70	289	396	197	2	95	127
Niagara	96	723	3113	1458	308	65	572	1319
Ontario	59	280	1155	406	108	8	240	643
Ottawa	188	580	2571	553	306	41	336	886
Toronto	0	2014	6515	2989	796	41	999	2205
Total	614	5178	20452	7572	2356	364	3208	7719
RUPERT'S LAND								
The Arctic	52	80	632	283	118	2	47	115
Athabasca	16	105	361	118	30	1	43	87
Brandon	32	124	561	320	118	15	82	241
Calgary	81	491	1904	462	185	8	259	460
Edmonton	54	326	1192	357	84	11	156	312
Keewatin	22	96	437	180	70	25	55	135
Qu'Appelle	44	173	736	172	83	6	91	262
Rupert's Land	58	325	1372	434	171	3	169	417
Saskatchewan	20	80	321	485	235	0	99	221
Saskatoon	30	122	505	155	55	30	73	173
Total	409	1922	8021	2966	1149	101	1074	2423
BRITISH COLUMBIA								
British Columbia	69	332	1309	305	109	10	174	535
Caledonia	19	32	200	90	55	16	30	54
Cariboo	15	80	282	121	30	5	54	147
Kootenay	40	139	650	136	34	10	94	340
New Westminster	89	586	2480	770	211	18	355	1043
Yukon	9	39	121	25	9	0	13	75
Total	241	1208	5042	1447	448	59	720	2194
	1794	10944	45841	15574	6092	616	6648	15849

**Anglican Church of Canada
1999 Statistics**

<u>Diocese by Province</u>	<u>Anglican Church Women</u>	<u>Other Women's Groups</u>	<u>Men's Groups</u>	<u>Other Adult Groups</u>	<u>Youth Groups</u>	<u>Sponsored Adult Groups</u>	<u>Sponsored Youth Groups</u>
CANADA							
Fredericton	1141	1212	474	1646	621	0	1019
Montreal	0	0	0	0	381	0	0
Eastern Nfld & Lab	2507	0	591	1662	2232	0	0
Central Nfld	1645	0	302	740	432	95	189
Western Nfld	1204	0	109	150	237	0	169
Nova Scotia	304	3214	628	214	834	0	106
Quebec	370	224	0	143	55	3	4
Total	7171	4650	2104	4555	4792	98	1487
ONTARIO							
Algoma	1073	556	379	931	645	522	341
Huron	0	0	0	0	0	0	0
Moosonee	209	88	22	140	25	61	20
Niagara	993	1911	482	611	1005	2585	1499
Ontario	886	400	116	550	196	234	232
Ottawa	857	1528	626	5346	1332	0	0
Toronto	4534	3369	1688	4309	2259	720	0
Total	8552	7852	3313	11887	5462	4122	2092
RUPERT'S LAND							
The Arctic	328	75	9	233	261	16	2
Athabasca	118	0	0	198	44	0	0
Brandon	512	269	77	295	141	15	44
Calgary	943	897	389	1637	484	390	800
Edmonton	510	401	124	1157	327	294	331
Keewatin	370	115	20	60	70	130	135
Qu'Appelle	518	274	50	652	231	0	0
Rupert's Land	572	936	328	1714	393	332	588
Saskatchewan	455	78	3	41	4	0	0
Saskatoon	470	185	90	460	210	450	91
Total	4796	3230	1090	6447	2165	1627	1991
BRITISH COLUMBIA							
British Columbia	534	1295	759	2557	535	428	579
Caledonia	172	0	1	206	62	10	0
Cariboo	212	134	105	141	221	56	317
Kootenay	1048	0	410	549	173	147	71
New Westminster	883	1640	733	3053	1611	0	0
Yukon	42	0	5	139	32	84	27
Total	2891	3069	2013	6645	2634	725	994
	23410	18801	8520	29534	15053	6572	6564

**Anglican Church of Canada
1999 Statistics**

<u>Diocese by Province</u>	<u>Total Parish Income</u>	<u>Total Parish Expenditure</u>	<u>Parish Surplus (Deficit)</u>	<u>Parish Debt</u>	<u>Building Valuation in \$000</u>	<u>Building Insurance in 000</u>
CANADA						
Fredericton	10,249,602	11,390,048	(1,140,446)	1,351,655	80,000	70,000
Montreal *	9,245,386	9,118,457	126,929	-	1,060	1,060
East.Nfld & Lab-97	5,068,109	5,105,230	(37,121)	710,075	59,000	34,355
Central Nfld	3,285,461	3,479,831	(194,370)	253,559	38,582	32,912
Western Nfld	3,270,000	3,238,000	32,000	433,312	26,844	26,844
Nova Scotia	11,683,864	13,035,996	(1,352,132)	-	-	-
Quebec	2,740,414	3,060,436	(320,022)	-	60,000	26,277
Total	45,542,836	48,427,998	(2,885,162)	2,748,601	265,486	191,448
ONTARIO						
Algoma	6,183,856	6,062,515	121,341	1,250,000	56,000	56,000
Huron	23,532,992	21,387,676	2,145,316	1,991,083	262,418	262,418
Moosonee	1,212,341	1,129,799	82,542	-	10,235	10,235
Niagara	19,866,377	20,183,340	(316,963)	4,639,966	183,878	183,878
Ontario	7,362,580	6,621,458	741,122	714,226	83,831	83,831
Ottawa	12,660,440	12,598,257	62,183	3,249,773	136,636	136,636
Toronto	44,052,257	43,662,586	389,671	-	10,000	10,000
Total	114,870,843	111,645,631	3,225,212	11,845,048	742,998	742,998
RUPERT'S LAND						
The Arctic	1,631,188	1,419,641	211,547	-	-	-
Athabasca	1,021,714	1,026,162	(4,448)	-	10,681	10,681
Brandon	1,782,690	1,784,006	(1,316)	64,025	17,484	15,379
Calgary	7,324,241	8,028,308	(704,067)	1,150,934	-	-
Edmonton	7,124,373	7,049,740	74,633	923,571	39,678	39,993
Keewatin	1,077,570	1,078,570	(1,000)	28,000	12,744	12,744
Qu'Appelle	3,218,275	3,155,041	63,234	58,087	25,400	22,500
Rupert's Land	5,448,130	5,916,064	(467,934)	894,492	57,346	57,346
Saskatchewan	1,273,633	1,482,705	(209,072)	-	8,853	8,853
Saskatoon	3,072,000	2,253,000	819,000	146,000	23,000	23,000
Total	32,973,814	33,193,237	(219,423)	3,265,109	195,186	190,496
BRITISH COLUMBIA						
British Columbia	8,471,727	8,387,762	83,965	-	90,112	75,112
Caledonia	653,307	653,580	(273)	-	-	-
Cariboo	1,258,902	1,267,001	(8,099)	211,563	8,956	9,350
Kootenay	3,170,054	3,298,960	(128,906)	-	-	-
New Westminster	14,435,802	14,369,871	65,931	1,700,916	124,000	123,735
Yukon	409,788	405,508	4,280	-	-	-
Total	28,399,580	28,382,682	16,898	1,912,479	223,068	208,197
Totals	221,787,073	221,649,548	137,525	19,771,237	1,426,738	1,333,139

**Anglican Church of Canada
1999 Statistics**

Diocese by Province	Total Diocesan Income	Total Diocesan Expenditure	Diocesan Surplus (Deficit)	Appmt/Assmt Received from Parishes	Diocesan Debt	Building Valuation in \$000	Building Insurance in 000
CANADA							
Fredericton	1,545,579	1,570,067	(24,488)	1,213,943	-	680	680
Montreal *	1,053,208	1,090,726	(37,518)	839,991	-	1,061	1,061
East. Nfld & Lab 97	1,231,379	1,165,912	65,467	1,069,421	-	2,000	1,977
Central Nfld	954,696	939,017	15,679	500,575	30,000	507	500
Western Nfld	541,978	670,320	(128,342)	429,824	-	913	913
Nova Scotia	2,174,603	2,174,948	(345)	2,010,444	115,443	563	563
Quebec	465,589	465,476	113	250,852	-	1,600	1,600
Total	7,967,032	8,076,466	(109,434)	6,315,050	145,443	7,324	7,294
ONTARIO							
Algoma	1,078,933	1,029,275	49,658	972,218	-	874	874
Huron	3,967,152	3,450,867	516,285	2,689,722	-	2,066	2,066
Moosonee	1,270,767	1,205,158	65,609	194,013	-	-	-
Niagara	3,073,283	6,197,171	(3,123,888)	2,699,924	1,575,103	10,295	10,295
Ontario	1,562,224	1,719,880	(157,656)	1,300,668	874,565	1,931	1,931
Ottawa	1,824,403	1,846,879	(22,476)	1,564,635	186,411	2,295	2,295
Toronto	12,178,061	11,032,561	1,145,500	5,122,344	-	10,000	10,000
Total	24,954,823	26,481,791	(1,526,968)	14,543,524	2,636,079	27,461	27,461
RUPERT'S LAND							
The Arctic	1,612,325	1,216,285	396,040	254,372	402,435	21,843	21,843
Athabasca	443,907	397,587	46,320	200,040	50,862	868	868
Brandon	700,644	692,024	8,620	332,425	-	2,000	1,779
Calgary	1,181,273	1,170,220	11,053	1,006,659	-	1,788	1,788
Edmonton	900,448	706,071	194,377	649,878	-	39,679	39,679
Keewatin	522,950	576,676	(53,726)	150,022	-	390	390
Qu'Appelle	658,531	878,213	(219,682)	423,611	-	-	-
Rupert's Land	771,684	760,030	11,654	639,255	-	600	600
Saskatchewan	947,557	653,648	293,909	253,145	-	600	600
Saskatoon*	401,986	422,120	(20,134)	289,937	-	100	100
Total	8,141,305	7,472,874	668,431	4,199,344	453,297	67,868	67,647
BRITISH COLUMBIA							
British Columbia	1,226,741	1,243,242	(16,501)	1,070,298	-	1,522	1,522
Caledonia	537,251	487,268	49,983	446,814	30,000	11,345	10,438
Cariboo	554,361	565,932	(11,571)	283,724	43,750	175	175
Kootenay	504,229	500,171	4,058	438,011	1,052,930	34,491	34,491
New Westminster	2,227,729	2,252,654	(24,925)	1,950,480	-	1,508	1,508
Yukon	450,470	407,960	42,510	49,192	-	5,348	5,348
Total	5,500,781	5,457,227	43,554	4,238,519	1,126,680	54,389	53,482
Totals	46,563,941	47,488,358	(924,417)	29,296,437	4,361,499	157,042	155,884